



RZ-0 egg breaker

Description

Capacity: 2020 eggs/hour

Replaces: 3 people

Power supply: 0.5 kW 230 V 1/N/PE 50/60 Hz
0.5 kW 110 V 1/N/PE 50/60 Hz

Dimensions: 1159x908x1205 mm

Minimal workspace: 2200x2500 mm

Compressed air: 6-8 bar minimal flow 260 l/min.

Weight: 105 kg

Water: n/a

Operated by: 1 person

Drain: n/a

Compatibility: ESS

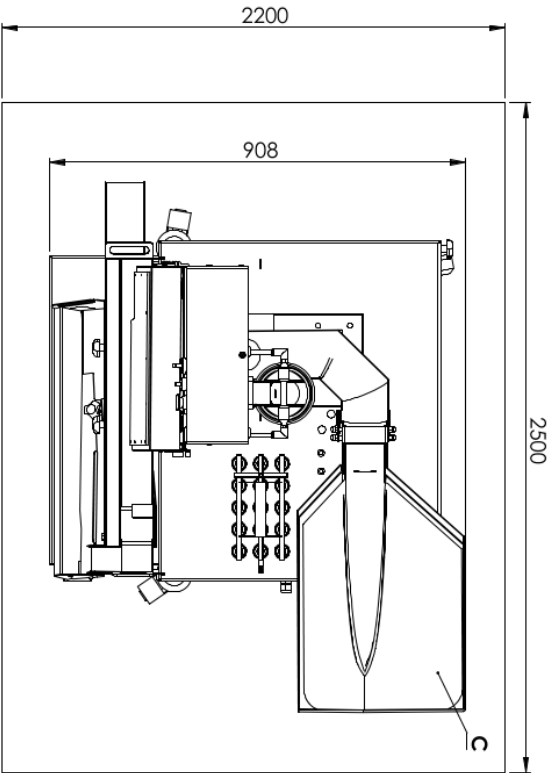
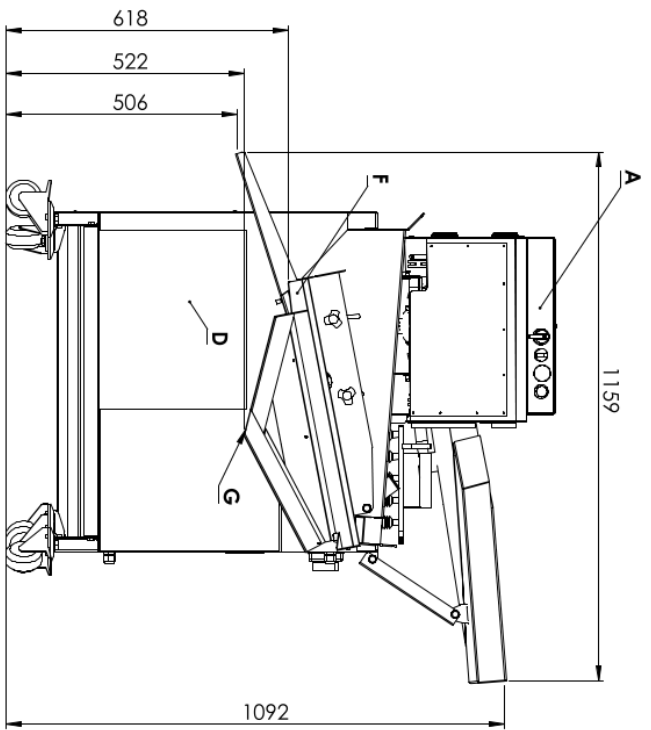
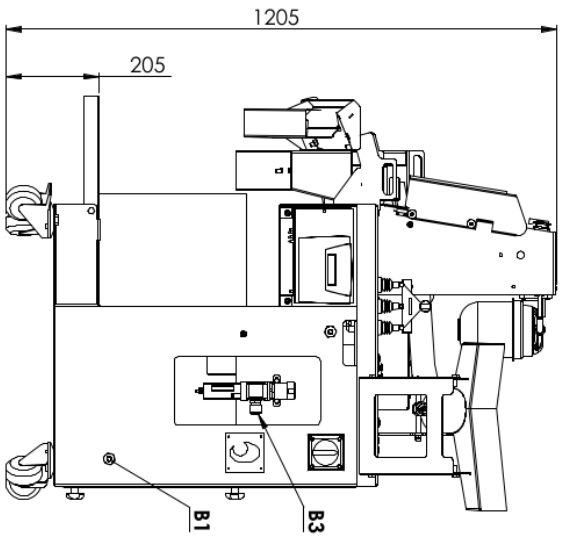
The egg breaker imitates the work of human hands with the use of special pneumatic suction cups. The cups grab the eggs whose shells are then cracked by a specially designed knife. Next, the machine's arms pull the eggshells apart and the cracked eggs slide onto a separator, where yolks are separated from egg whites. This most hygienic egg breaking method is an innovation by OVO-TECH. Due to its compact size and cracking hygiene, the RZ-0 finds its applications in both, food and pharmaceutical industries. The machine is made out of stainless steel EN 1.4301 (AISI 304).



DATE
05.01.2021

AUTHOR
ML

PROJECT
DOK-LAY-EN.O.1.1



RZ-0 egg breaker

Typical workplaces:	egg breaking facilities, bakeries, confectioneries, pasta making companies
Capacity:	2020 eggs/hour
Power supply:	0.5 kW 230 V 1~/V/PE 50/60 Hz 0.5 kW 110 V 1~/V/PE 50/60 Hz
Water connection:	N/A
Compressed air connection:	6-8 bar, minimal flow 260 liters/hour
Minimal workspace:	2200 x 2500
Dimensions:	908 x 1159 x 1205 mm
Operated by:	1 person
Minimal wall clearance:	the rear side - 600 mm
Additional information:	N/A
A	control panel
B1/B2/B3	connection: electrical/water/air
C	eggs input
D	eggshells outlet
E	egg yolk outlet
F	egg white outlet
G	egg white outlet



All rights reserved.
The design and the drawing
is the sole property of OVO-TECH.
Any use of this product, including
reproduction, is strictly prohibited
without O's written permission & strictly
prohibited.