



## UDTJ-10 centrifugal egg cracker

## Description

**Capacity:** 4000 eggs/hour

**Replaces:** 3 people

**Power supply:** 1.1 kW 400 V 3/N/PE 50/60 Hz  
1.1 kW 230 V 3/N/PE 50/60 Hz  
1.1 kW 110 V 1/N/PE 50/60 Hz

**Dimensions:** 546x549x903 mm

**Minimal workspace:** 1500x1500 mm

**Compressed air:** n/a

**Weight:** 60 kg

**Water:** n/a

**Operated by:** 1 person

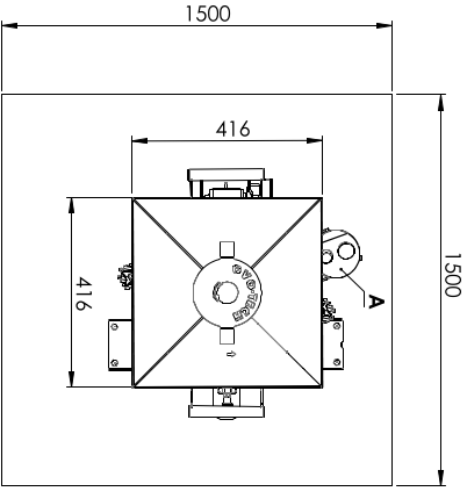
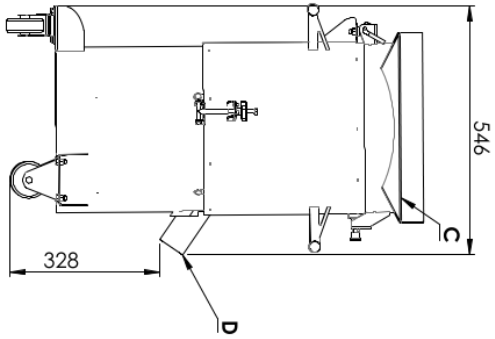
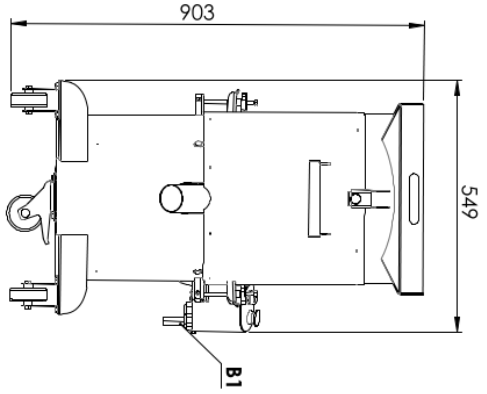
**Drain:** n/a

**Compatibility:** PS-UDTJ, FS

The UDTJ-10 is a semi-automatic centrifugal egg cracker which produces fresh liquid egg. After filling the hopper with eggs, the machine cracks the eggs and separates the liquid egg from the eggshells using an internal filter. Shells should be removed from the filter after every 210 eggs, after which breaking can be continued. The machine is made out of stainless steel EN 1.4301 (AISI 304).



DATE	05.01.2021	AUTHOR	ML
PROJECT	DOK-LAY-ENJA.2.1		



**UDT1-10 centrifugal egg cracker**

<b>Typical workplaces:</b>	egg breaking facilities, bakeries, confectioneries, pasta making companies
<b>Capacity:</b>	4000 eggs/hour
<b>Power supply:</b>	1.1 kW 400 V 3/N/PE 50/60 Hz 1.1 kW 230 V 3/N/PE 50/60 Hz 1.1 kW 110 V 1/N/PE 50/60 Hz
<b>Water connection:</b>	N/A
<b>Compressed air connection:</b>	N/A
<b>Minimal workspace:</b>	1500 x 1500 mm
<b>Dimensions:</b>	546 x 549 x 903 mm
<b>Operated by:</b>	1 person
<b>Minimal wall clearance:</b>	the rear side – 600 mm
<b>Additional instructions:</b>	N/A
<b>A</b>	control panel
<b>B1/B2/B3</b>	connection: electrical/water/air
<b>C</b>	eggs input
<b>E</b>	eggs/whites outlet
<b>F</b>	egg yolks outlet
<b>G</b>	egg white outlet

**OVO TECH**

EGG PROCESSING MACHINES

All rights reserved. Any use of this product, including reproduction, is the sole property of OVO-TECH. Without O's written permission is strictly prohibited.