



## Bistrot 10T Classic

Electrical Supply

CODE: 925913120

Trays	10T 40x60 46x66 cm
Outside dimension	850 L x 930 P x 1150 H mm
Tray distance	81 mm
Power	15 kW
Weight	112 Kg
Max temperature	270° C
Power supply	400 V ~ 3PH + N + PE 400 V ~ 2PH + N + PE 230 V ~ 3PH + PE 230 V ~ 1PH + N + PE 50-60 Hz

### Equipment

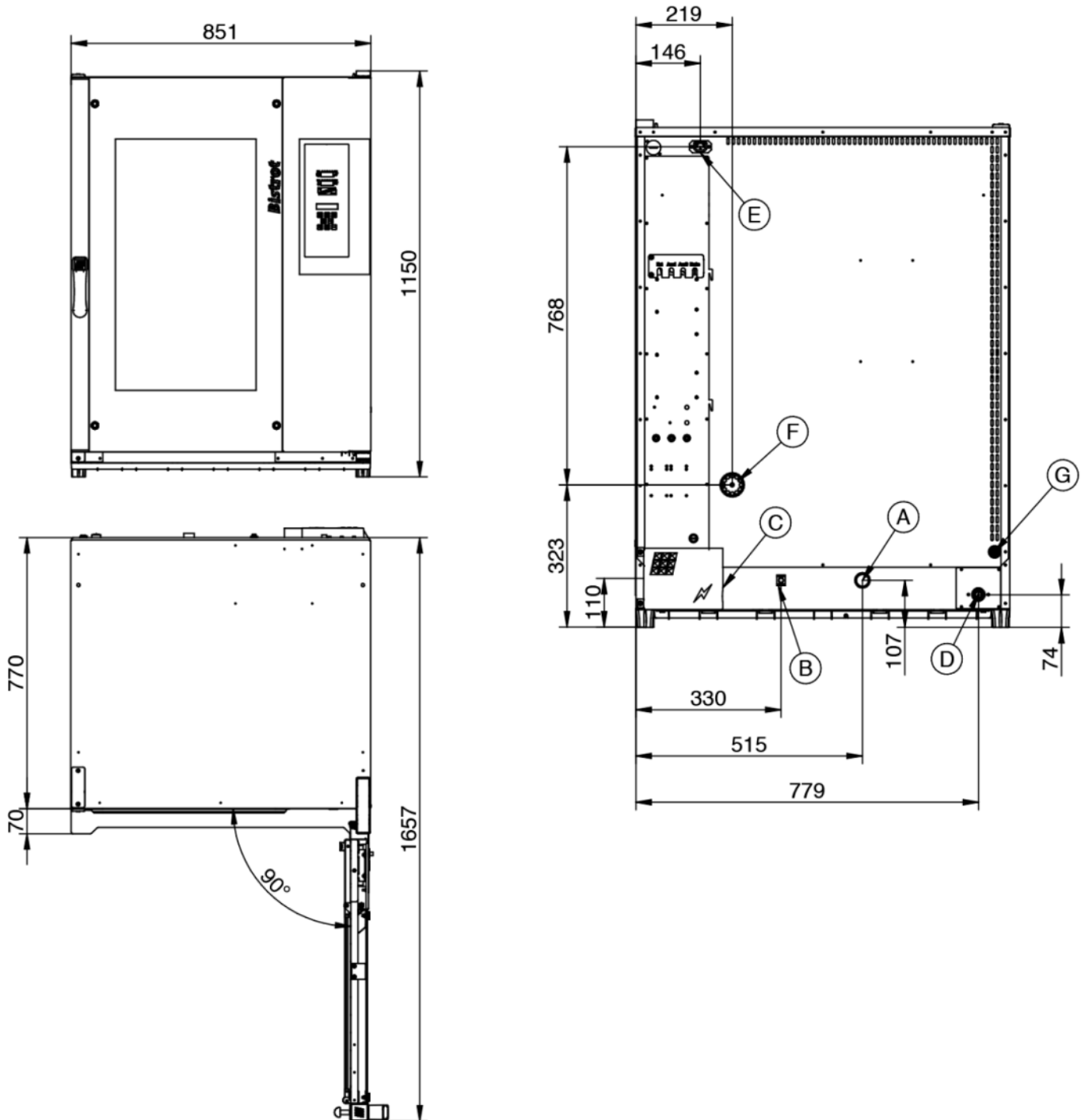
Led illumination	BakePOINT Multipoint core probe	BakeAIR multi-fan system
Double low emissive glass	High-performance thermal insulation	Blue LED for chamber cleaning check
Five fan speeds and semi-static cooking	Nine cooking modes	Automatic chimney opening BakeDRY
Program blocking with password	Rounded baking chamber	Modularity
CE Certificate	Automatic control of dry/steam balance inside the chamber	Steam control in percentage BakeSTEAM
Automatic control of the cooking level and load	Multi-timer function for multiple and mixed cooking	Storage, viewing* and exportation of cooking data (haccp)
Customized programs mode	Manual mode	Preset programs mode
ETL / NSF certification	EAC certification	Automatic preheating
Cooling program	Delayed start programming	Delayed cooking programming
Pre-loaded and online cookbook	Automatic detection and errors report	Overlap option
Openable inner glass for easy cleaning	Fan inversion, speed control and motor brake	

### Options

Heart probe MultiBakePOINT	BakeCLEAN automatic washing system	Safety rinse
Left door opening	Data logger for USB connection	

**Bistrot 10T Classic**

Electrical Supply



**Legend**

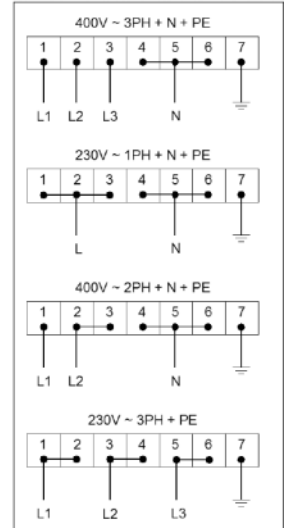
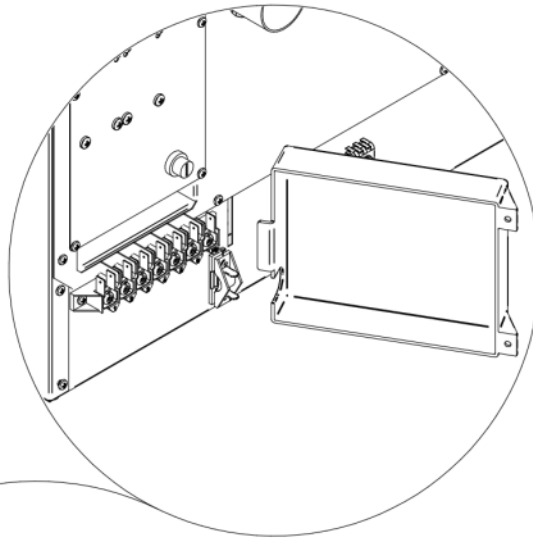
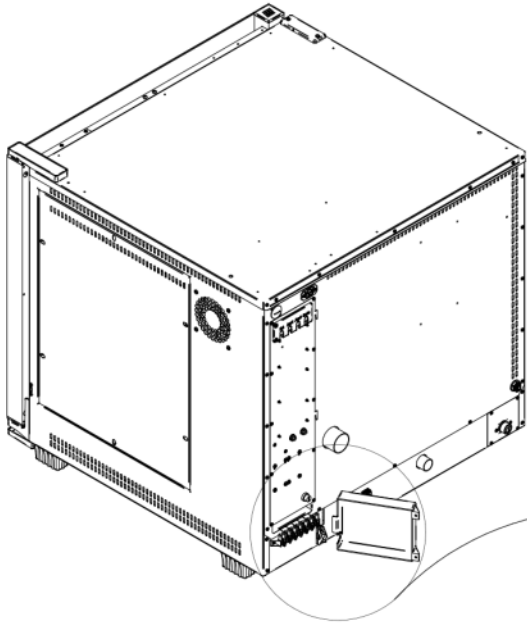
- A - Drain liquid Ø 30mm
- B - Equipotential terminal comb
- C - Electric supply
- D - Water inlet 3/4"
- E - Extracting hood supply
- F - Steam exhaust Ø 50mm

G - Inlet for washing kit Ø 8mm

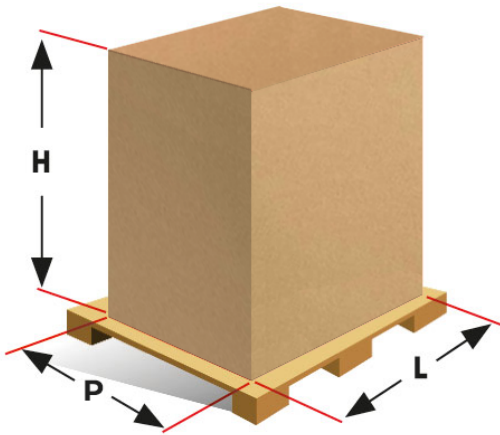
**Bistrot 10T Classic**

Electrical Supply

Supply and Connections



Packaging



Packing size:	920 L x 1000 P x 1300 H mm
Net weight:	112 Kg
Gross weight:	132 Kg