



Bistrot 10T Vision

Electrical Supply

CODE: 925913130

Trays	10T 40x60 46x66 cm
Outside dimension	850 L x 930 P x 1150 H mm
Tray distance	81 mm
Power	15 kW
Weight	112 Kg
Max temperature	270° C
Power supply	400 V ~ 3PH + N + PE 400 V ~ 2PH + N + PE 230 V ~ 3PH + PE 230 V ~ 1PH + N + PE 50-60 Hz

Equipment

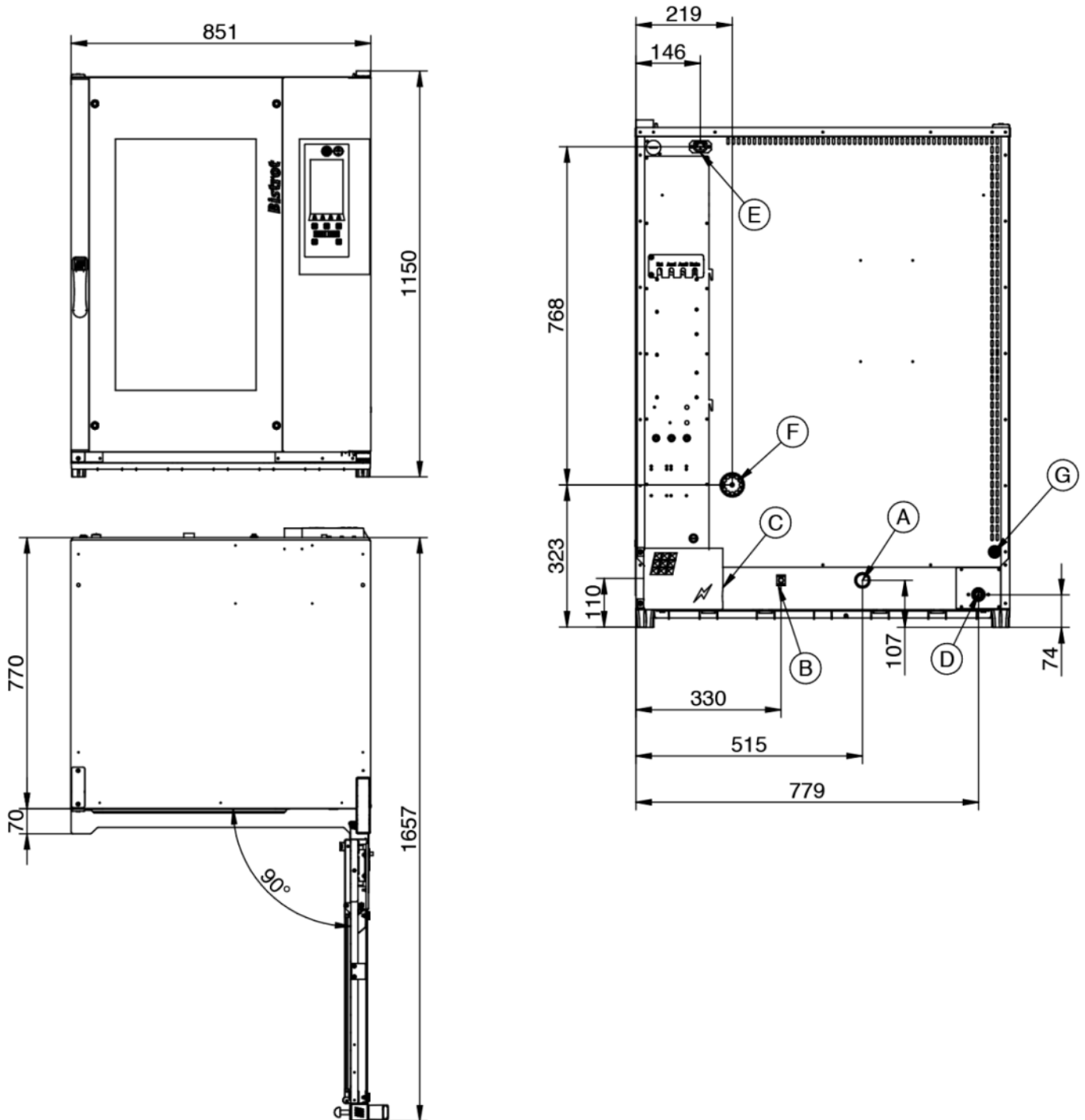
<ul style="list-style-type: none"> Display touch screen BakeAIR multi-fan system USB connection Five fan speeds and semi-static cooking Program blocking with password CE Certificate 	<ul style="list-style-type: none"> Led illumination Double low emissive glass Blue LED for chamber cleaning check Nine cooking modes Rounded baking chamber Automatic control of dry/steam balance inside the chamber Multi-timer function for multiple and mixed cooking Storage, viewing* and exportation of cooking data (haccp) Preset programs mode Automatic preheating Delayed cooking programming Automatic detection and errors report Fan inversion, speed control and motor brake 	<ul style="list-style-type: none"> BakePOINT Multipoint core probe High-performance thermal insulation Set-up for BakeHIN vacuum core probe Automatic chimney opening BakeDRY Modularity Steam control in percentage BakeSTEAM Time-programmable steam injection Customized programs mode ETL / NSF certification Cooling program Cooking chamber automatic cooling Overlap option
---	---	--

Options

<ul style="list-style-type: none"> BakeHIN vacuum core probe BakeCLEAN automatic washing system 	<ul style="list-style-type: none"> Ethernet connection and wi-fi set-up BakeNET Safety rinse 	<ul style="list-style-type: none"> Heart probe MultiBakePOINT Left door opening
---	--	---

Bistrot 10T Vision

Electrical Supply



Legend

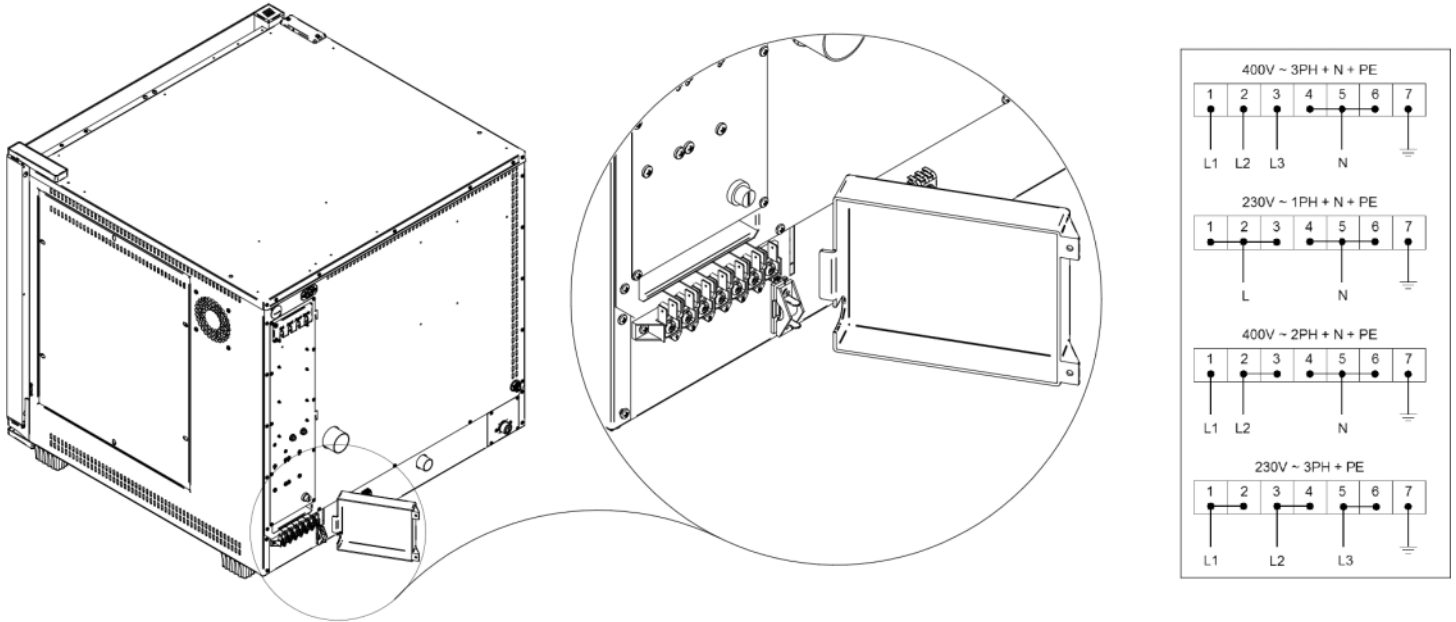
- A - Drain liquid Ø 30mm
- B - Equipotential terminal comb
- C - Electric supply
- D - Water inlet 3/4"
- E - Extracting hood supply
- F - Steam exhaust Ø 50mm

G - Inlet for washing kit Ø 8mm

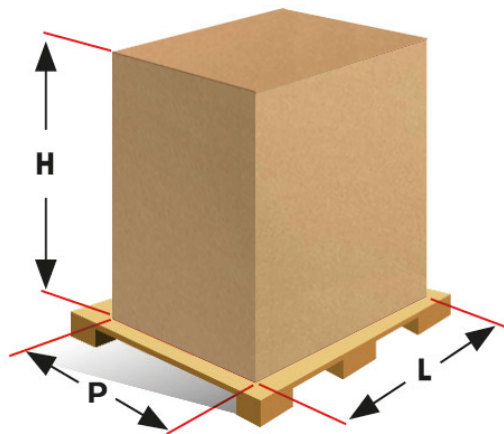
Bistrot 10T Vision

Electrical Supply

Supply and Connections



Packaging



Packing size:	920 L x 1000 P x 1300 H mm
Net weight:	112 Kg
Gross weight:	132 Kg