

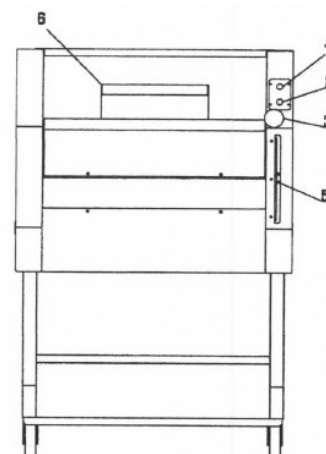
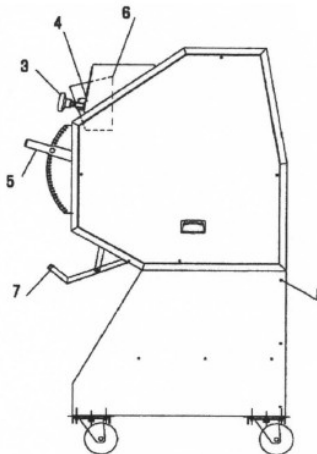
B3C 700

Baguette Moulder 3 Cylinders

- ◆ Output up to 1.800 Loaves per Hour
- ◆ Weight Range: 50 - 2000 gr
(1.75 - 70,55 Ounces)
- ◆ Sheeting Thickness: 5 mm (1/5 Inch)
- ◆ Front Cylinder Cover Safety Guard
- ◆ Precise Cylinder and Belt Adjustment
- ◆ Easily Removable Belts
- ◆ Heavy-Duty Frame & Construction
- ◆ Optional automatic exit belt



1. shut down button.
2. run button
3. dough output belt distance adjuster knob (thickness and length of the baguettes)
4. dough output belt distance reference indicator
5. nylon cylinder height adjuster lever (dough mix thickness before the rolling phase)
6. dough input hopper which can be opened to access the cylinders and scrapers
7. baguette output chute
8. wheeled trolley (optional)



GOLDEN MIX ITALIA SRL

Sede Legale: Via Dell'Industria 36/38- 36016 Thiene (VI) ITALIA
 REA: VI-338942 - P.I.03609330240 - Cap.Soc.100.000,00 i.v. - TEL/FAX +39 (0) 445 820063
 info@goldenmix.it - www.goldenmix.it

B3C 700

Baguette Moulder 3 Cylinders

The **B3C 700** model is a machine used to produce **baguettes** and is ideal for small, medium and big production.

The machine sheets and then rolls the dough thanks to 3 food-grade nylon pressure cylinders which can be adjusted to the most suitable position using a lever which slides along a scaled section.

When the cylinders are in the right position, they work the dough, pressing it and reducing its thickness.

The dough is then forwarded to a conveyor belt that rolls the piece of dough and send it between **2 opposed belts** which gently and progressively refine it.

These two pressure belts are regulated by a knob with millimeter indicator.

The dough can be extended to a length of **700 mm**.

The hopper is easy to lift which makes quick and **simple** the **cleaning** of the cylinders.

The mechanical design of this B3C 700 model makes it a strong machine which can also deal with **high work loads** and also can be used for an **automatic processing line, for example** combined with a pre-fermentation proving chamber for the baguettes production.

The machine can also be placed on a work **bench** or on a **trolley with castors** which makes it easy to move. The B3C 700 can have, upon request, the **motorized exit conveyor belt (see picture 1)**.



TECHNICAL DATA

Model	Cylinders	Dimensions	Kg	Kw	Volt	Packing
B3C 700	3 x 500mm	1040 X 1000 X H 880mm	300	0,75	220/415	1200 X 1000 X H 1100mm
B3C 700 + CAR.B3C	3 x 500mm	1040 X 1000 X H 1630mm	340	0,75	220/415	1200 X 1000 X H 1100mm
USC.B3C		1420 X 820 X H 865mm	70	0,18	220/415	1500 X 1000 X H 60mm
B3C 700 + CAR.B3C + USC.B3C	3 x 500mm	1830 X 1000 X H 1630mm	410	0,93	220/415	1200 X 1900 X H 1100mm

GOLDEN MIX ITALIA SRL